



PHILIPS

Let's make things better.



Quick Use and Hookup Guide

CONTENTS

Important Notice/Warning	1	Component Video Input Connections	3
Basic TV Operation	1	High Definition Input Connections	3
Remote Battery Installation	1	Headphone/Sub-woofer/Data Jacks	3
Remote Control Button Descriptions	1	PC (Monitor) Connection	4
Hooking up the Television		AV2 Input Connections	4
Basic Cable/Cable Box TV Connections	2	AV3 Input Connection	4
Basic Antenna TV Connections	2	Monitor Output Connections	4
AV1 Input Connections	3		

IMPORTANT

NOTE: This owner's manual is used with several different television models. Not all features (and drawings) discussed in this manual will necessarily match those found with your television set. This is normal and does not require that you contact your dealer or request service.

WARNING: TO PREVENT FIRE OR SHOCK HAZARD DO NOT EXPOSE THIS UNIT TO RAIN OR EXCESSIVE MOISTURE.

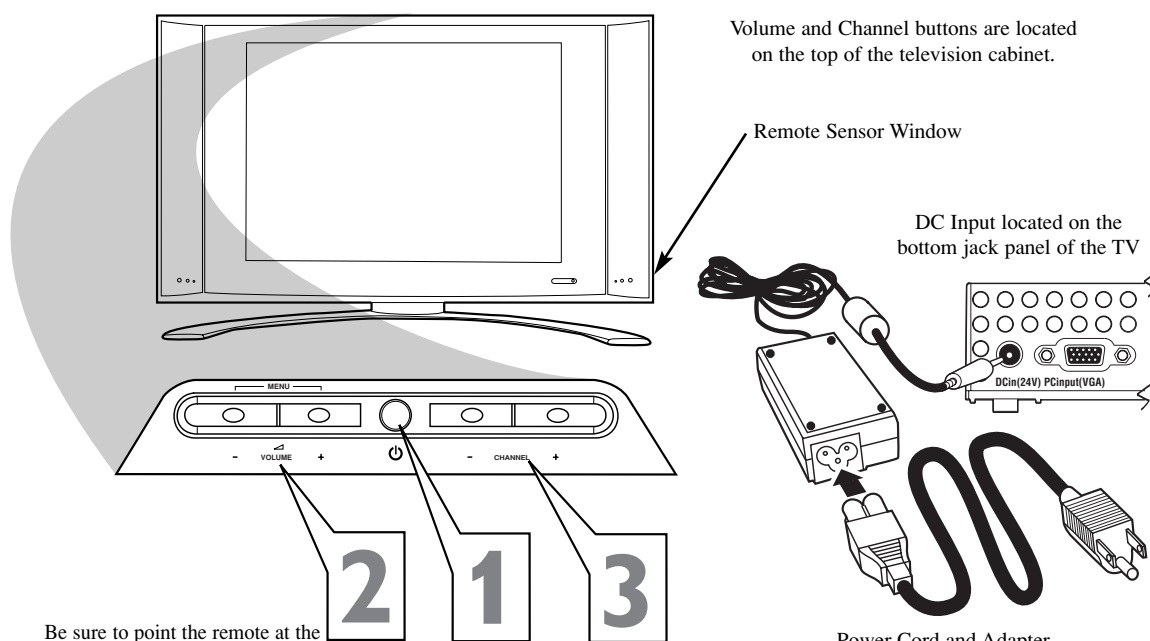
BASIC LCD TV AND REMOTE OPERATION

LCD TELEVISION

This LCD television has a set of controls located on the top of the cabinet for use when the remote control is not needed.

- 1 Press the **POWER** button on the front of the TV cabinet to turn the TV ON.
Note: With AutoChron ON, the TV will search for a PBS channel to set the clock before powering itself on. This can take a few seconds.
- 2 Press the **VOLUME +** button to increase the sound level or the **VOLUME -** button to lower the sound level.
Pressing both buttons at the same time will display the onscreen menu. After you are in the menu, use these buttons to make adjustments or selections.
- 3 Press the **CHANNEL +** or **-** button to select TV channels. Use these buttons to make adjustments or selections in the onscreen menu.

There is also a set of Audio and Video Input jacks located on both sides and the bottom of the television cabinet. Refer to the Audio/Video Hookup sections within this Guide.

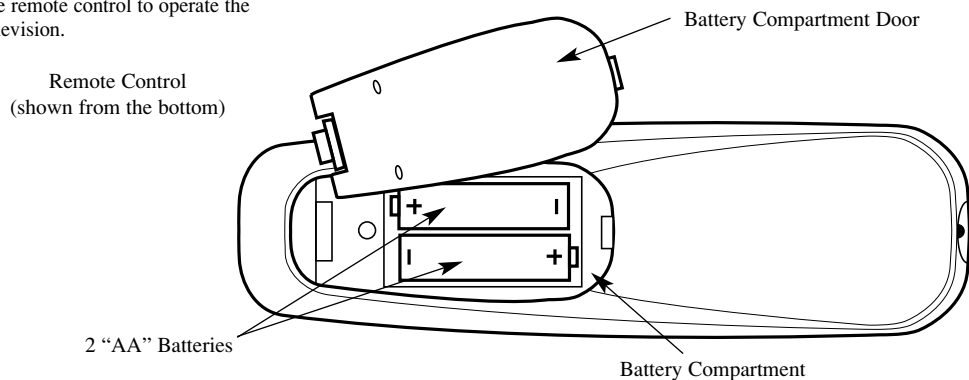


Be sure to point the remote at the Remote Sensor window on the front of the television when using the remote control to operate the television.

REMOTE CONTROL BATTERIES

To load the supplied batteries into the remote:

- 1 Remove the battery compartment door on the back of the remote.
- 2 Place the batteries (2-AA) in the remote. Be sure the (+) and (-) ends of the batteries line up correctly (the inside of the case is marked).
- 3 Reattach the battery compartment door.



REMOTE CONTROL BUTTONS

PIP Button - When in the PC Mode, pressing the PIP button will bring up a smaller second screen window to view programming while using the TV as a computer monitor.

Accessory Device ◀◀, ▶▶, ▶▶▶, || Buttons - Press to rewind, stop, play, fastforward, or pause/freeze a videotape, or DVD.

TV/DVD/ACC Mode Switch - Slide to the TV position to control TV functions, to the DVD position to control DVD Player functions, or to the ACC position to control the functions of accessory devices (a cable converter, DBS, or VCR, for example).

Program List Button - Press to display a list of channel numbers and their names. Each channel will appear as a selectable menu item. Refer to the Program List section within the *Directions for Use* manual supplied with the TV for detailed instructions.

Sleep Button - Press to set the TV to automatically turn itself OFF at a given amount of time.

TV/VCR (A/CH) Button - TV/VCR - Press while in the VCR mode (the VCR indicator on the front of the VCR will light) to view the playback of a tape. Press again to place in the TV position (the VCR indicator light will go off) to view one program while recording another program. A/CH - Press to toggle between the currently viewed channel and the previously viewed channel.

Auto Sound Button - Press to select an AutoSound™ control. Choose from three factory-set controls (VOICE, MUSIC, and THEATRE) and a PERSONAL to tailor the TV sound to enhance the particular type of program you are watching.

Menu (Select) Button - Press for the onscreen menu to appear. Pressing the menu button after menu selections are made will eliminate the menu from the display.

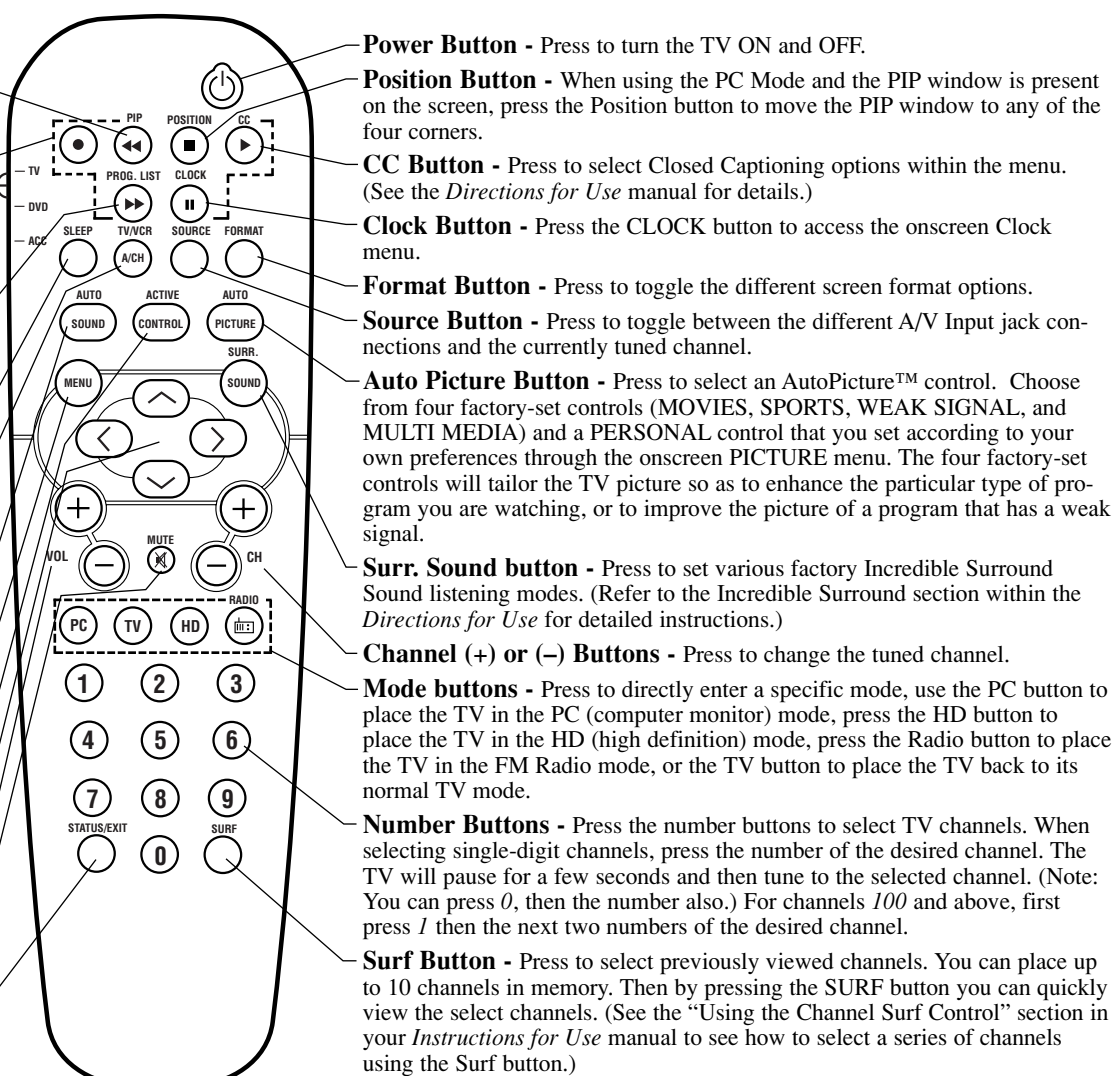
Active Control Button - Press repeatedly to toggle the Active Control to ON or OFF. When ON, the sharpness and noise reduction will be continuously monitored.

Cursor Buttons (Left, Right, Up, Down) - Press these buttons to highlight, select, and adjust items on the TV's onscreen menu.

Volume (+) or (-) Buttons - Press to adjust the TV sound level.

Mute Button - Press to turn the TV sound OFF. Press again to return the sound to its previous level.

Status/Exit Button - Press to see the current channel number on the TV screen. Also press to clear the TV screen after control adjustments.





HOOKING UP THE TELEVISION

CABLE/CABLE BOX TV

Your Cable TV input into your home may be a single (75 ohm) cable or use a cable box decoder. In either case the connection is very simple. Follow the steps below to connect your cable signal to your new television.

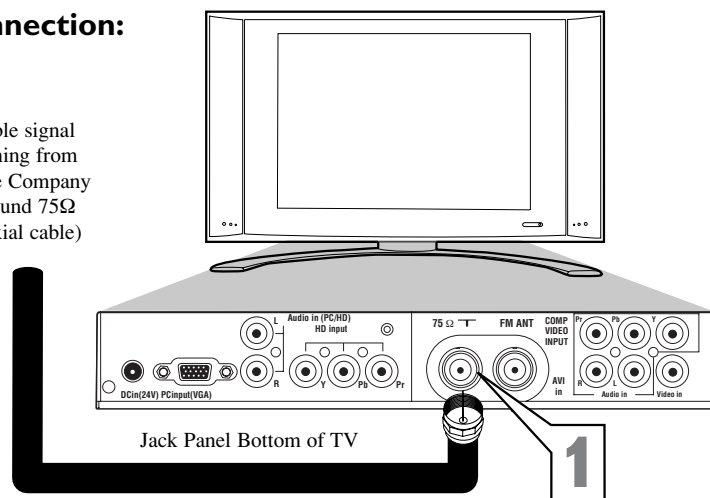
Direct Cable Connections:

This connection will supply Stereo sound to the TV.

- 1 Connect the open end of the round Cable Company supplied cable to the 75Ω input on the bottom of the TV. Screw it down finger tight.

Direct Cable Connection:

Cable signal coming from Cable Company (Round 75Ω coaxial cable)



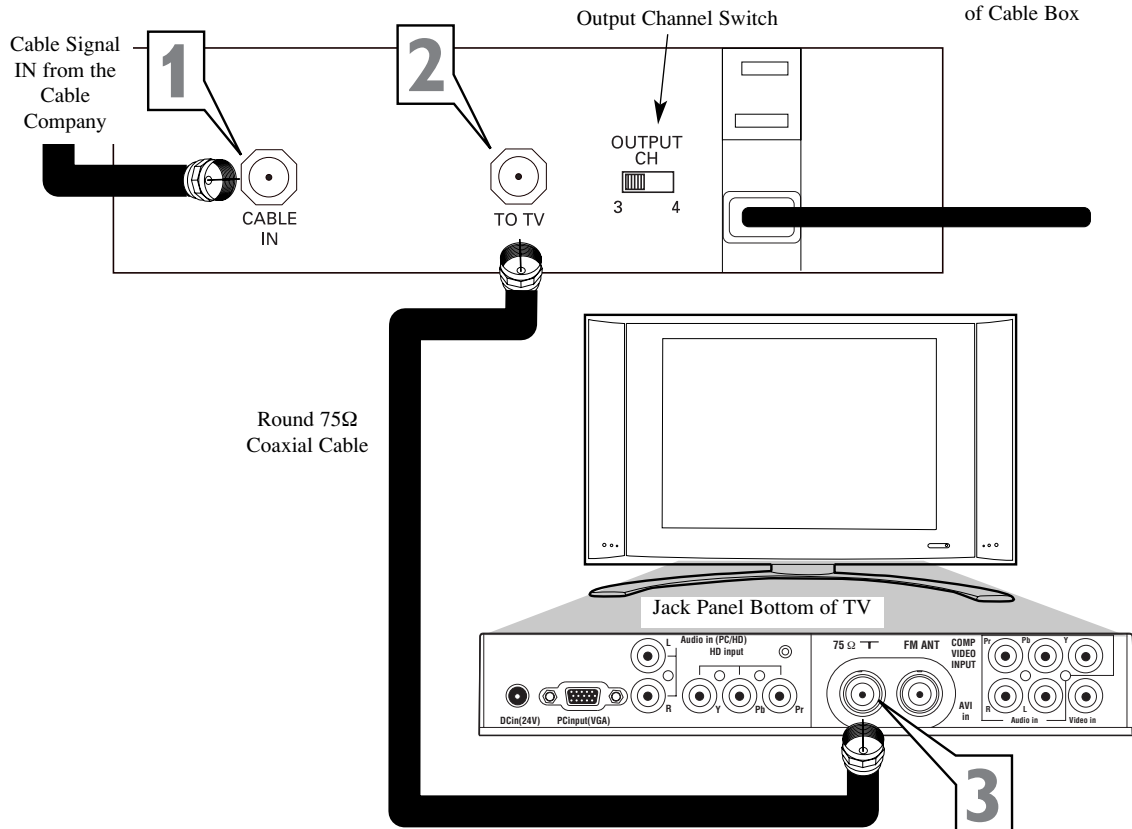
Cable Box (w/RF In/Outputs):

This connection will NOT supply Stereo sound to the TV. The sound from the cable box will be mono.

- 1 Connect the open end of the round Cable Company supplied cable to the cable signal IN(put) plug on the back of the Cable Box.
- 2 Using a separate round coaxial cable, connect one end to the OUT(put) (TO TV) plug on the back of the Cable Box.
- 3 Connect the other end of the round coaxial cable to the 75Ω input on the bottom of the television. Screw it down finger tight.

NOTE: Be sure to set the OUTPUT CHANNEL SWITCH on the back of the cable box to CH 3 or 4, then tune the cable box on the TV to the corresponding channel. Once tuned, change channels at the cable box, not the television.

Cable Box with RF Inputs and Outputs Connection:



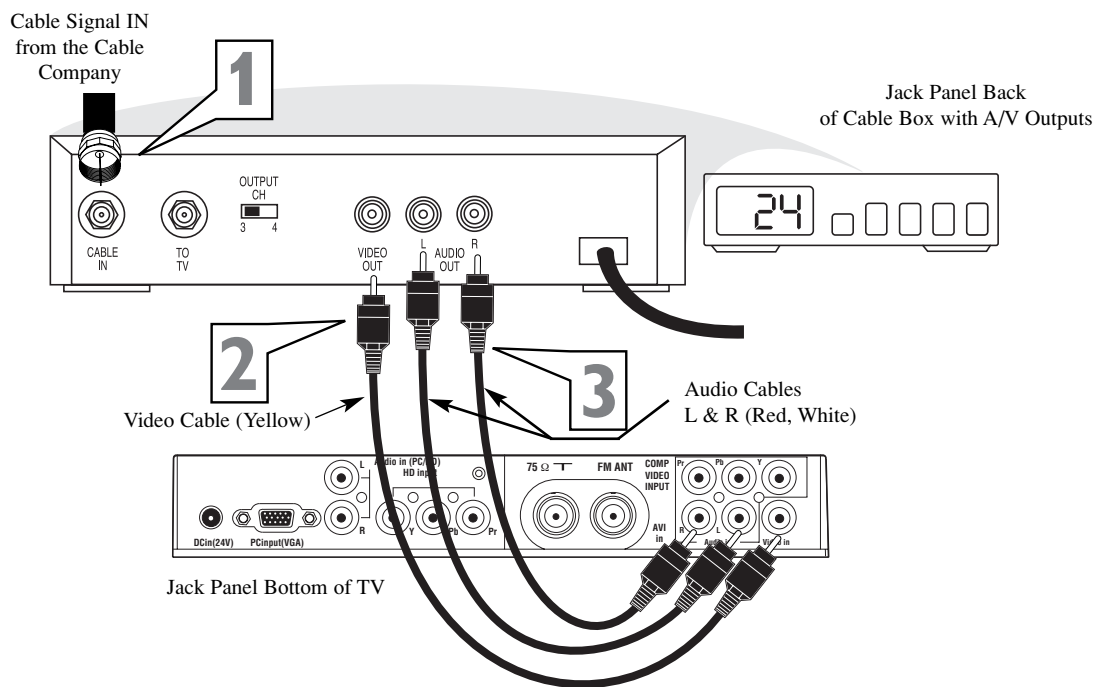
Cable Box (w/Audio/Video Outputs):

This connection will supply Stereo sound to the TV.

- 1 Connect the open end of the round Cable Company supplied cable to the cable signal IN(put) plug on the back of the Cable Box.
- 2 Using a RCA type Video Cable, connect one end of the cable to the Video (yellow) (or ANT, your cable box may be labeled differently) Out jack on the cable box and the other end to the Video Input on the bottom of the TV.
- 3 Using a RCA type Audio Left and Right Cable, connect one end to the left and right Audio Out L & R jacks (red & white) on the cable box. Connect the other end to the Audio L & R Input jacks on the bottom of the TV.

NOTE: Use the SOURCE button on the TV remote control to tune to the AV1 channel for the cable box signal. Once tuned, change channels at the cable box, not the television. Pressing the SOURCE button repeatedly will scroll all the AV Input channels, including the presently tuned channel.

Cable Box with Audio/Video Outputs Connection:



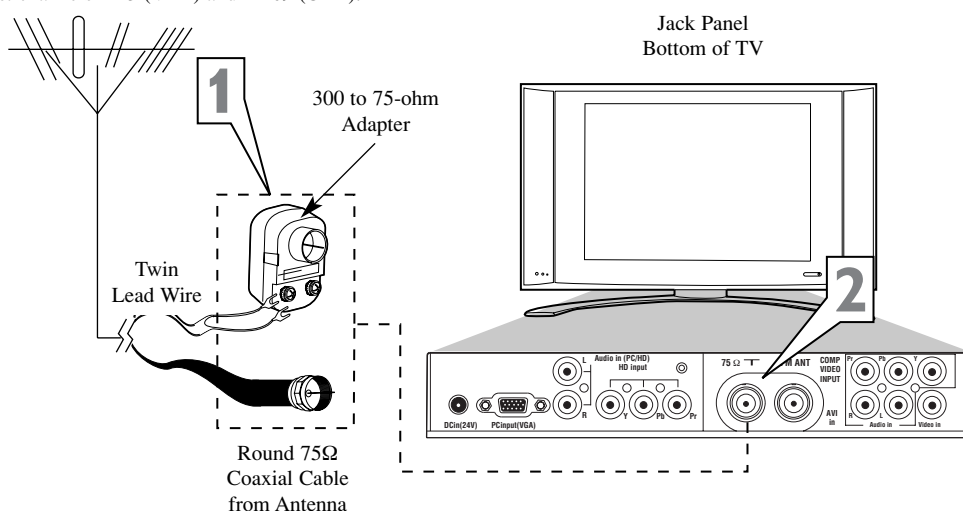
ANTENNA TV

A combination antenna receives normal broadcast channels (VHF 2-13 and UHF 14-69). Your connection is easy because there is only one 75Ω (ohm) antenna plug on the back of your TV, and that's where the antenna goes.

- 1 If your antenna has a round cable (75 ohm) on the end, then you're ready to connect it to the TV. If your antenna has flat, twin-lead wire (300 ohm), you first need to attach the antenna wires to the screws on a 300- to 75-ohm adapter.
- 2 Push the round end of the adapter (or antenna) onto the 75Ω (ohm) plug on the bottom of the TV. If the round end of the antenna wire is threaded, screw it down finger tight.

Antenna Connection:

Outdoor or Indoor Antenna (Combination VHF/UHF)
The combination antenna receives normal broadcast channels 2-13 (VHF) and 14-69 (UHF).

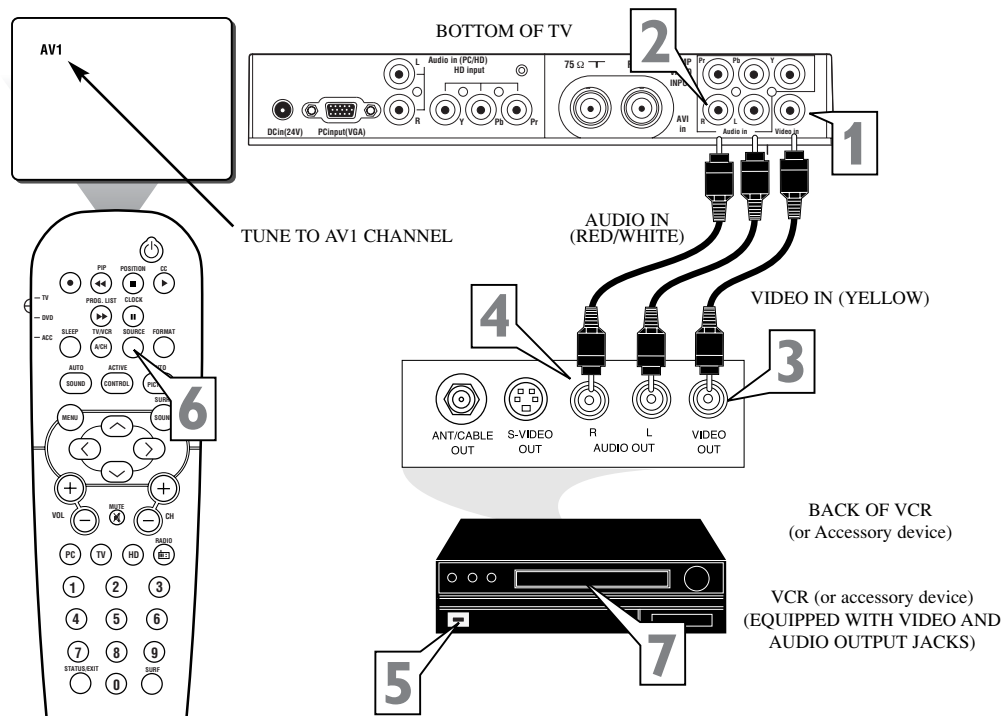


HOOKING UP THE TELEVISION

AVI INPUTS

The audio/video input jacks on the bottom panel of the TV are for direct picture and sound connections between the TV and a VCR (or similar device) that has audio/video output jacks.

- 1 Connect the VIDEO (yellow) cable to the VIDEO AV1 in jack on the bottom of the TV.
- 2 Connect the AUDIO (red and white) cables to the AUDIO (left and right) AV1 in jacks on the bottom of the TV.
- 3 Connect the VIDEO (yellow) cable to the VIDEO OUT jack on the back of the VCR or accessory device being used.
- 4 Connect the AUDIO (red and white) cables to the AUDIO (left and right) OUT jacks on the rear of the VCR or accessory device being used.
- 5 Turn the VCR or accessory device and the TV ON.
- 6 Press the SOURCE button on the remote control to select the AV1 channel for the accessory device. AV1 will appear in the upper left corner on the TV screen when tuned properly.
- 7 With the VCR (or accessory device) ON and a prerecorded tape (CD, DVD, etc.) inserted, press the PLAY button to view the tape on the television.



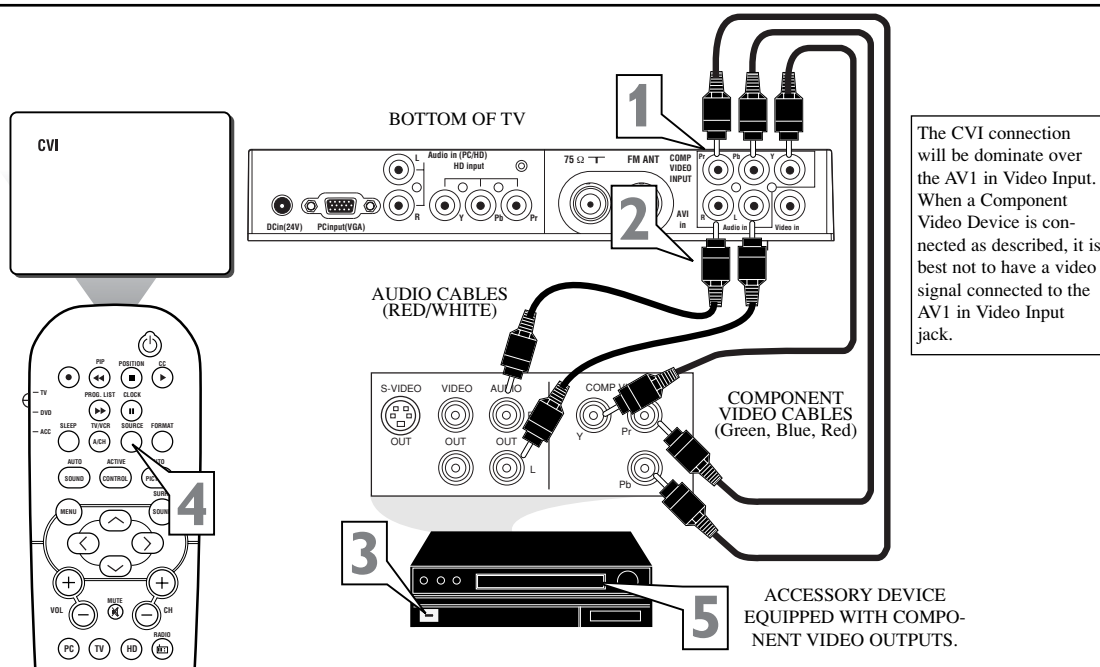
HELPFUL HINT

Note: The Audio/Video cables needed for this connection are not supplied with your TV. Please contact your dealer or Philips at 800-531-0039 for information about purchasing the needed cables.

COMPONENT (CVI) INPUTS

Component Video inputs provide the highest possible color and picture resolution in the playback of digital signal source material, such as with DVD players.

- 1 Connect the Component (Y, Pb, Pr) Video OUT jacks from the DVD player (or similar device) to the COMP(onent) VIDEO Input (Y green, Pb blue, Pr red) jacks on the bottom of the TV. When using the Component Video Inputs, it is best not to connect a signal to the AV1 in Video Jack.
- 2 Connect the red and white AUDIO CABLES to the Audio (left and right) output jacks on the rear of the accessory device to the Audio (L and R) AV1 in Input Jacks on the TV.
- 3 Turn the TV and the DVD (or digital accessory device) ON.
- 4 Press the SOURCE button to scroll the available channels until CVI appears in the upper left corner of the TV screen.
- 5 Insert a DVD disc into the DVD player and press the PLAY button on the DVD Player.



The CVI connection will dominate over the AV1 in Video Input. When a Component Video Device is connected as described, it is best not to have a video signal connected to the AV1 in Video Input jack.

HELPFUL HINT

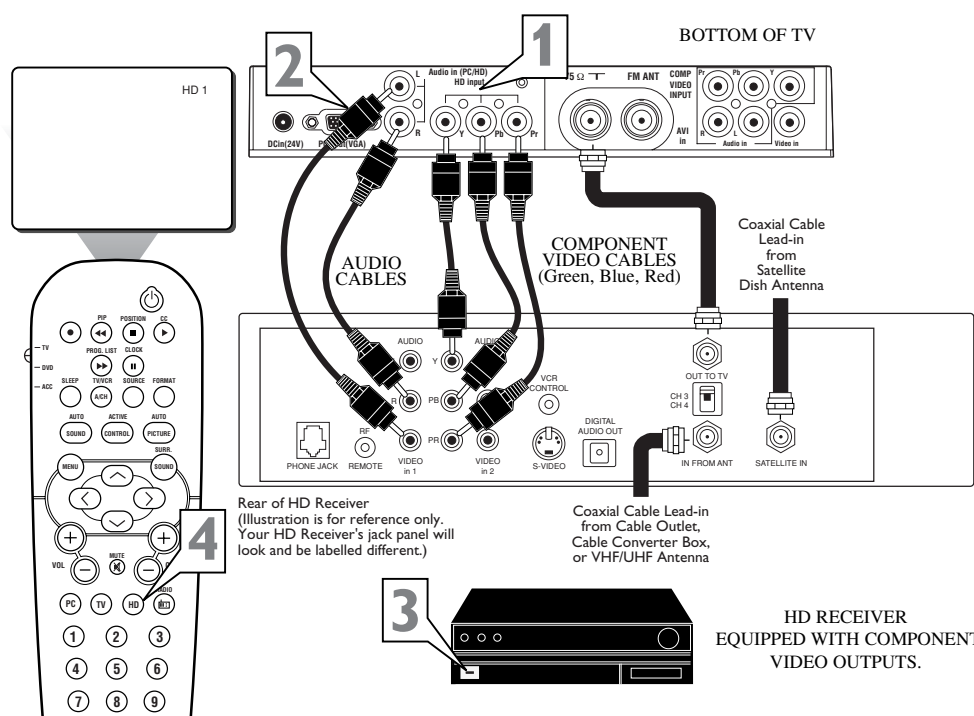
The description for the component video connectors may differ depending on the DVD player or accessory digital source equipment used (for example, Y, Pb, Pr; Y, B-Y, R-Y; Y, Cr, Cb). Refer to your DVD or digital accessory owner's manual for definitions and connection details.

HD (HIGH DEFINITION) INPUTS

If you're using a High Definition receiver that can transmit high definition programming, the TV can accept those signals through the HD Inputs located on the bottom of the TV.

- 1 Connect the Component (Y, Pb, Pr) Video OUT jacks from the HD Receiver (or similar device) to the HD (Y, Pb, Pr) input jacks on the bottom of the TV.
- 2 Connect the red and white AUDIO CABLES to the Audio (left and right) output jacks on the rear of the HD Receiver to the Audio In (PC/HD) Input Jacks on the bottom of the TV.
- 3 Turn the TV and the HD Receiver ON.
- 4 Press the HD Mode button to set the TV into the HD Mode and tune to the HD signal.

Note: The Audio/Video cables needed for this connection are not supplied with your TV. Please contact your dealer or Philips at 800-531-0039 for information about purchasing the needed cables.



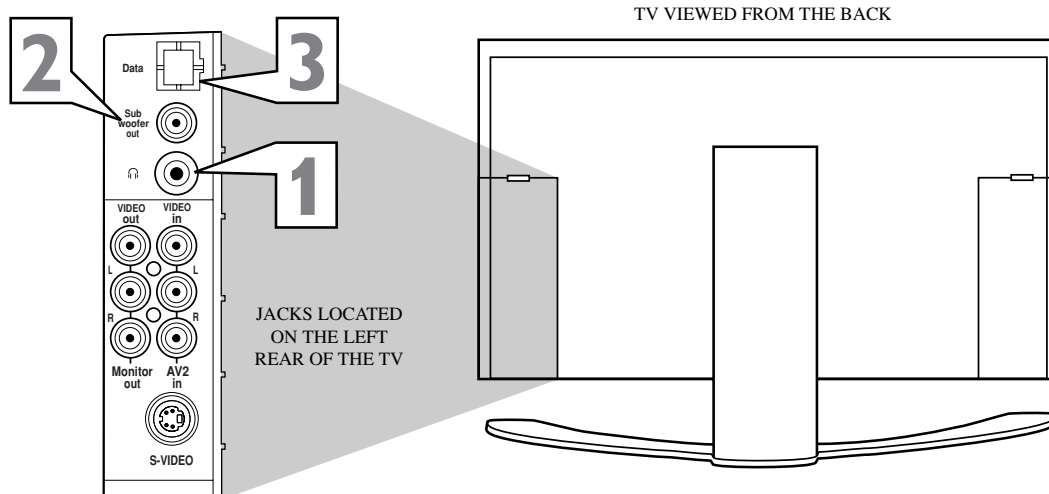
Rear of HD Receiver (Illustration is for reference only. Your HD Receiver's jack panel will look and be labelled different.)

Coaxial Cable Lead-in from Cable Outlet, Cable Converter Box, or VHF/UHF Antenna

HEADPHONE/SUB-WOOFER /DATA JACKS

The left side Jack Panel contains three jacks that can be used for your convenience. They include a Headphone Jack, a Sub-Woofer Jack, and a Data Jack.

- 1 HEADPHONE JACK - Used for headphone listening in any of the available modes. When headphones are connected to this jack the TV speakers will be muted.
- 2 SUB-WOOFER JACK - An external Sub-woofer speaker can be connected to the TV at this jack. This would provide for a deeper bass sound.
- 3 DATA JACK - This jack is used in service applications and should not be used by the customer.



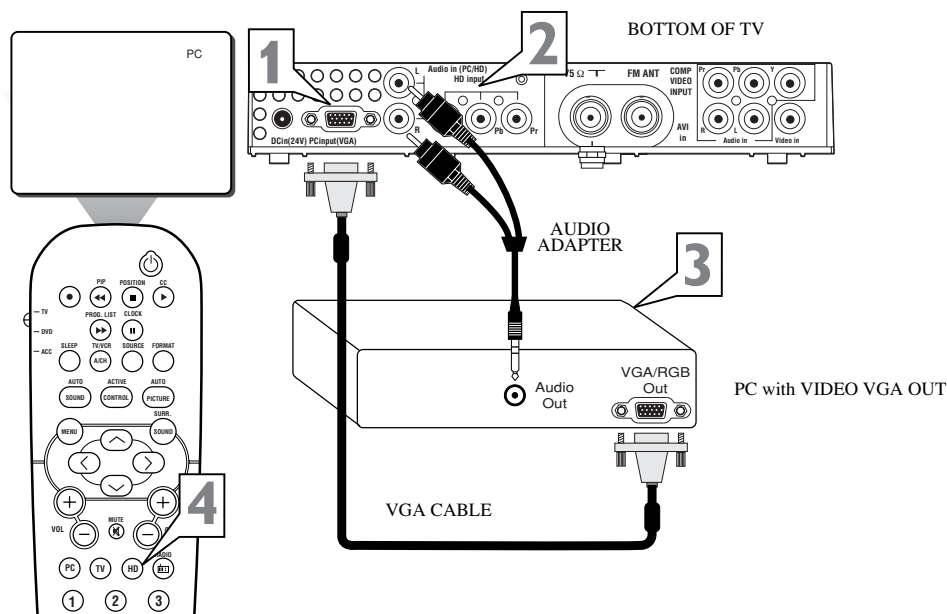
HOOKING UP THE TELEVISION

PC (MONITOR) INPUTS

This TV can be used as a PC Monitor. Your computer will have to be equipped with a VGA type video output and VGA cable.

- 1 Connect one end of the **VGA Video cable** to the Monitor (video) output on the computer to the PC Input (VGA) jack on the bottom of the TV.
- 2 Although audio connections are not required, the TV can reproduce the computers audio out by an **AUDIO ADAPTER** to the Audio output jack on the computer (if available) while connecting the other ends of the Audio cables to the Audio In left and right (PC/HD) Input Jacks on the bottom of the TV.
- 3 Turn the TV and the Computer ON.
- 4 Press the **PC Mode button** to set the TV into the HD Mode and tune to the computer's signal.

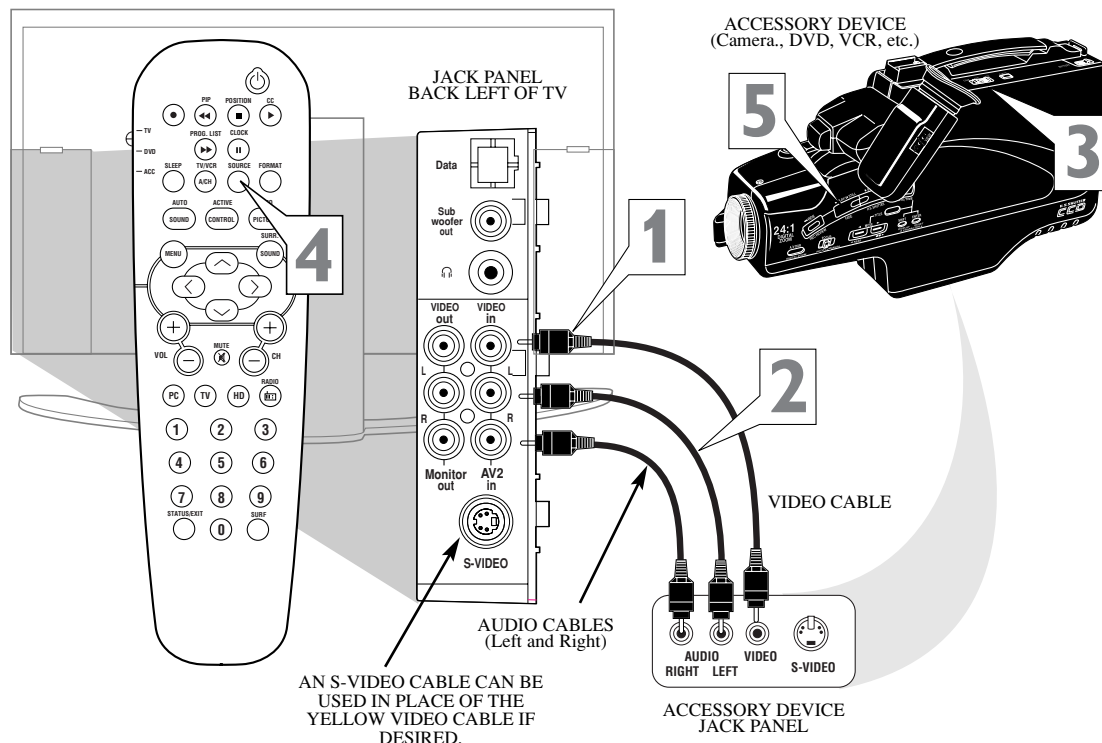
Note: Please contact your dealer or Philips at 800-531-0039 for information about purchasing the needed cables.



AV2 INPUTS

There are Audio/Video Input Jacks located on both sides of the TV located under removable panels. These jack allow for extra accessory device connections for items such as cameras or gaming stations.

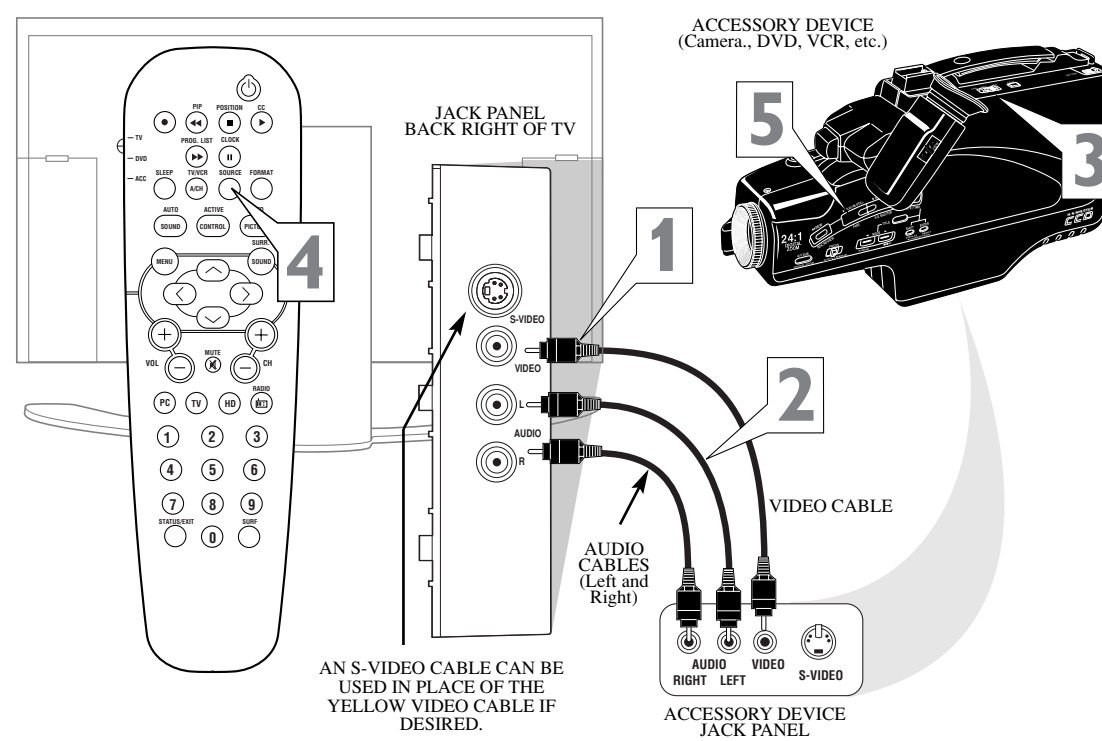
- 1 Connect the **VIDEO (yellow) cable** to the VIDEO AV2 in jack on the left rear of the TV. Connect the other end of the **VIDEO (yellow) cable** to the VIDEO OUT jack on the back of the accessory device being used. **Note:** An S-Video cable can be used in place of the yellow Video cable if your device is equipped with an S-Video Output. S-Video provides better video playback.
- 2 Connect the **AUDIO (red and white) cables** to the AUDIO (left and right) AV2 in jacks on the left rear of the TV. Connect the other ends of the **AUDIO (red and white) cables** to the AUDIO (left and right) OUT jacks on the rear of the accessory device being used.
- 3 Turn the accessory device and the TV ON.
- 4 Press the **SOURCE button** on the remote control repeatedly to select the AV2 channel for the accessory device. AV2 will appear in the upper left corner on the TV screen when tuned properly.
- 5 With the accessory device ON, press the **PLAY button** to activate the playback on the television.



AV3 INPUTS

Much like the AV2 jacks, the AV3 jacks allow for extra accessory device connections for items such as cameras or gaming stations. The AV3 Input Jacks are located on the right rear of the TV.

- 1 Connect the **VIDEO (yellow) cable** to the VIDEO AV3 in jack on the right rear of the TV. Connect the other end of the **VIDEO (yellow) cable** to the VIDEO OUT jack on the back of the accessory device being used. **Note:** An S-Video cable can be used in place of the yellow Video cable if your device is equipped with an S-Video Output. S-Video provides better video playback.
- 2 Connect the **AUDIO (red and white) cables** to the AUDIO (left and right) AV2 in jacks on the right rear of the TV. Connect the other ends of the **AUDIO (red and white) cables** to the AUDIO (left and right) OUT jacks on the rear of the accessory device being used.
- 3 Turn the accessory device and the TV ON.
- 4 Press the **SOURCE button** on the remote control repeatedly to select the AV3 channel for the accessory device. AV3 will appear in the upper left corner on the TV screen when tuned properly.
- 5 With the accessory device ON, press the **PLAY button** to activate the accessory device (DVD, VCR, CAMERA, etc.) and view the playback on the television.



MONITOR OUTPUTS

The Monitor (Audio/Video) out jacks are great for recording with a VCR or used to connect an external audio system for better audio.

For Audio System Connection:

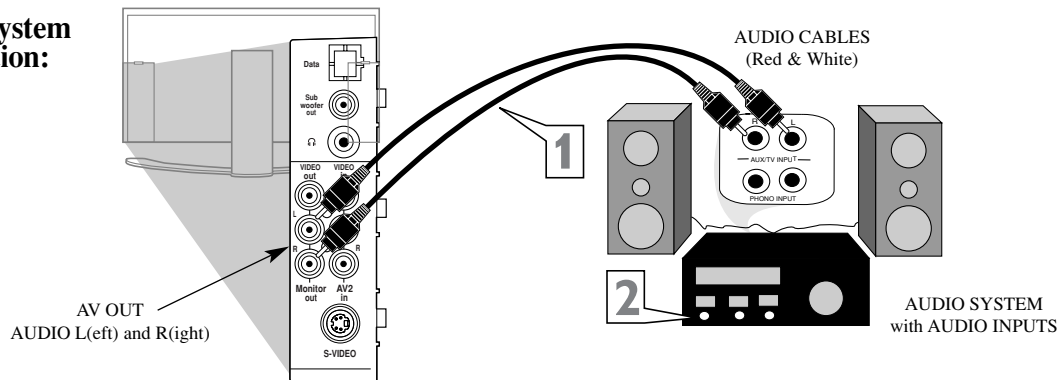
- 1 Connect one end of the **R(ight) and L(ef) AUDIO (Monitor Out)** jacks located on the right rear of the TV to the R and L audio input jacks on your sound system. Refer to the AUDIO OUT control within the *Directions for Use* for FIXED or VARIABLE settings.
- 2 Turn the TV and audio system ON. TV sound can be heard through the audio system

For Second VCR Connection/Recorder:

The following steps allow you to connect a VCR to record the program while your watching it.

- 3 Connect one end of the **yellow Video Cable** to the **Monitor out VIDEO OUT** plug on the left rear of the TV. Connect the other end to the VIDEO IN plug on the second VCR.
- 4 Connect one end of the **red and white Audio cable** from the **Monitor out L and R** plugs on the left rear of the TV to the AUDIO IN plugs on the VCR.
- 5 Turn the VCR ON, insert a black VHS tape and it's ready to record what's being viewed on the TV screen.

Audio System Connection:



Second VCR Connection/Recorder:

